

AFM0725 Mass Flow Meter



1. Product Summary

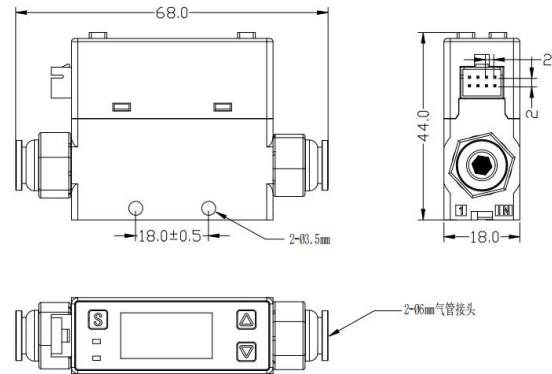
AFM0725 is a thermal mass flow meter that measure mass flow of gas by measuring the change in resistance. AFM0725 adopts Aosong self-developed MEMS mass flow chip. This mass meter has advantages like simple to use, high accuracy, high stability, high and low temperature resistance, good linearity and fast response time.

AFM0725 mass flow meter is calibrated before delivery, the range, accuracy, repeatability, response time... are all calibrated.

2. Key Features

- ◆ Measure mass flow and temperature simultaneously
- ◆ Measurement range: 0~25L/min
- ◆ Reliable repeatability
- ◆ Open drain output with 2 NPN
- ◆ Analog voltage output 1~5V
- ◆ LCD Display
- ◆ Power supply: 9~24V DC
- ◆ Interface: 6mm HVTR(default), other interfaces can be customized

3. Dimension



Unit: mm

4. Technical Parameters

Measurement range	0~25 L/min(standard)
Accuracy	±3%F.S.
Temperature range of fluid	0~50°C
Working voltage	extern 9~24V DC power supply
Max working pressure	0.8MPa
Communication	RS485

5. Applications

AFM0725 can be used to monitor the mass flow of air, nitrogen, argon, carbon dioxide, helium, oxygen and other dry, clean and non-corrosive gases (except for flammable and explosive gases). It can be widely used in university scientific research, fire protection, environmental monitoring, tobacco, smart agriculture, food, medicine and other industries.



Guangzhou Aosong Electronic Co., Ltd.

Add: No.17, Yunjun Road, Huangpu District, Guangzhou, China

Tel: +86 18122702030 Fax: +86 20-89852796

Email: inquiry@aosong.com

Web: www.aosong.com/en, www.asairsensors.com